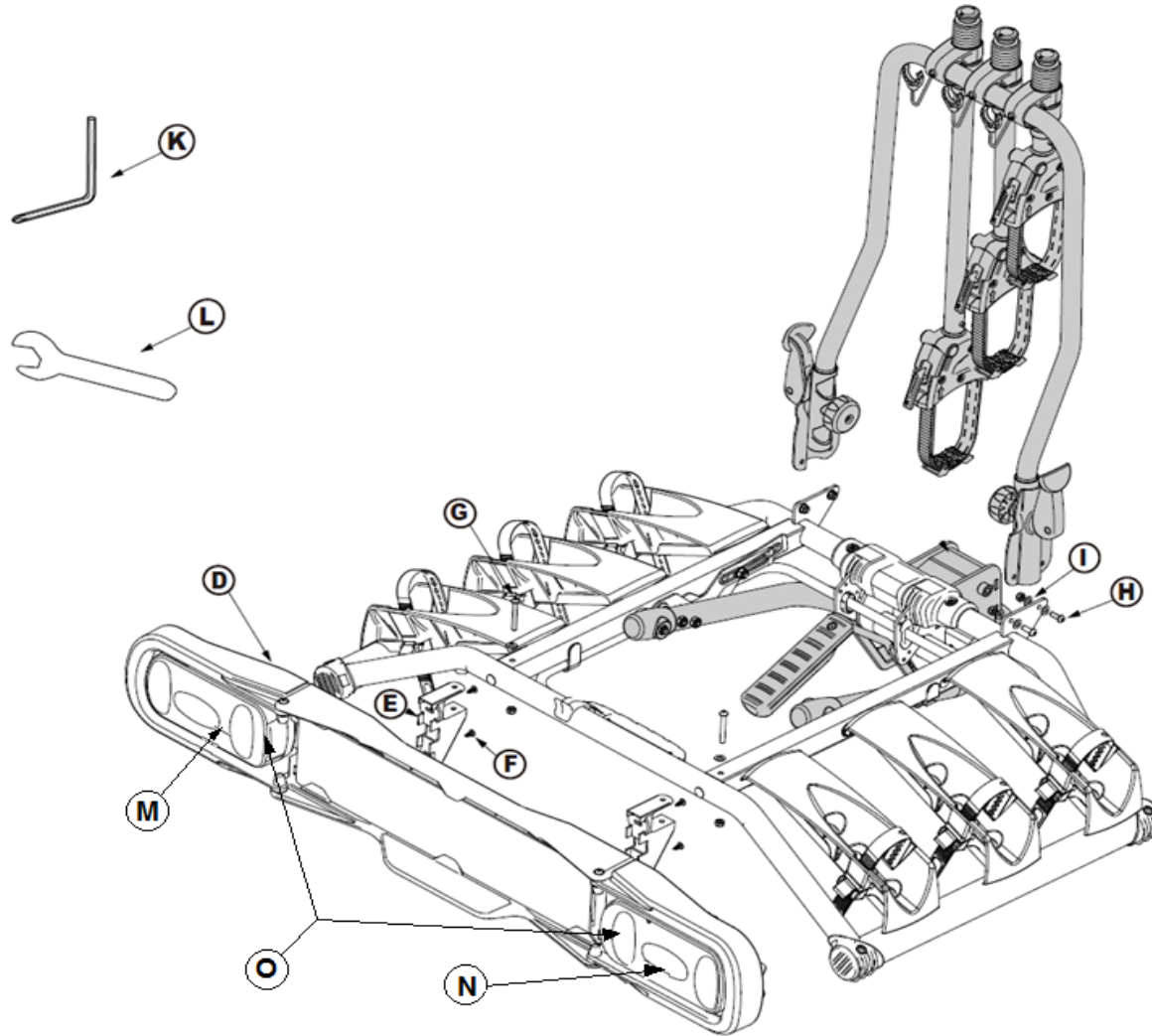
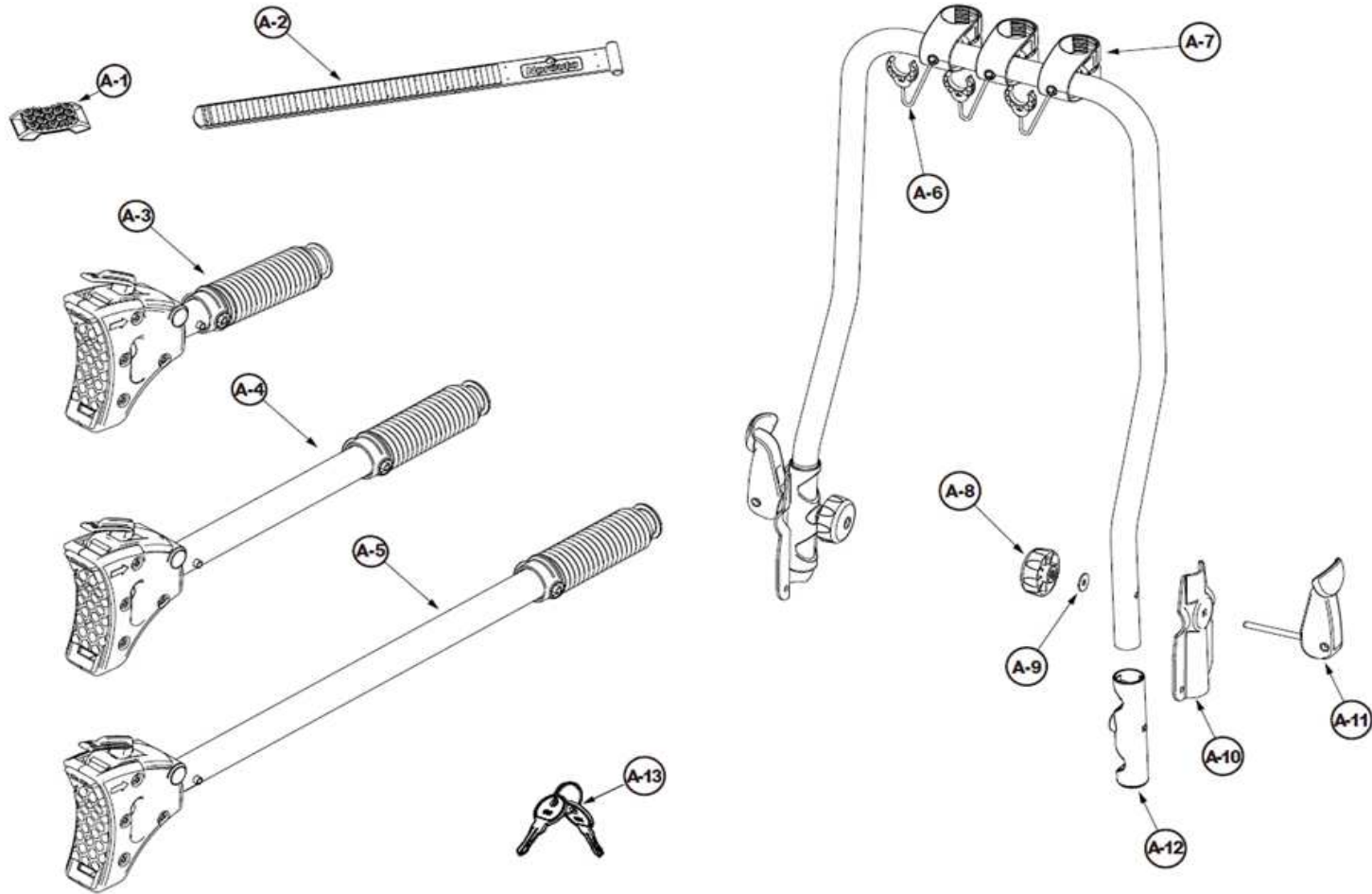
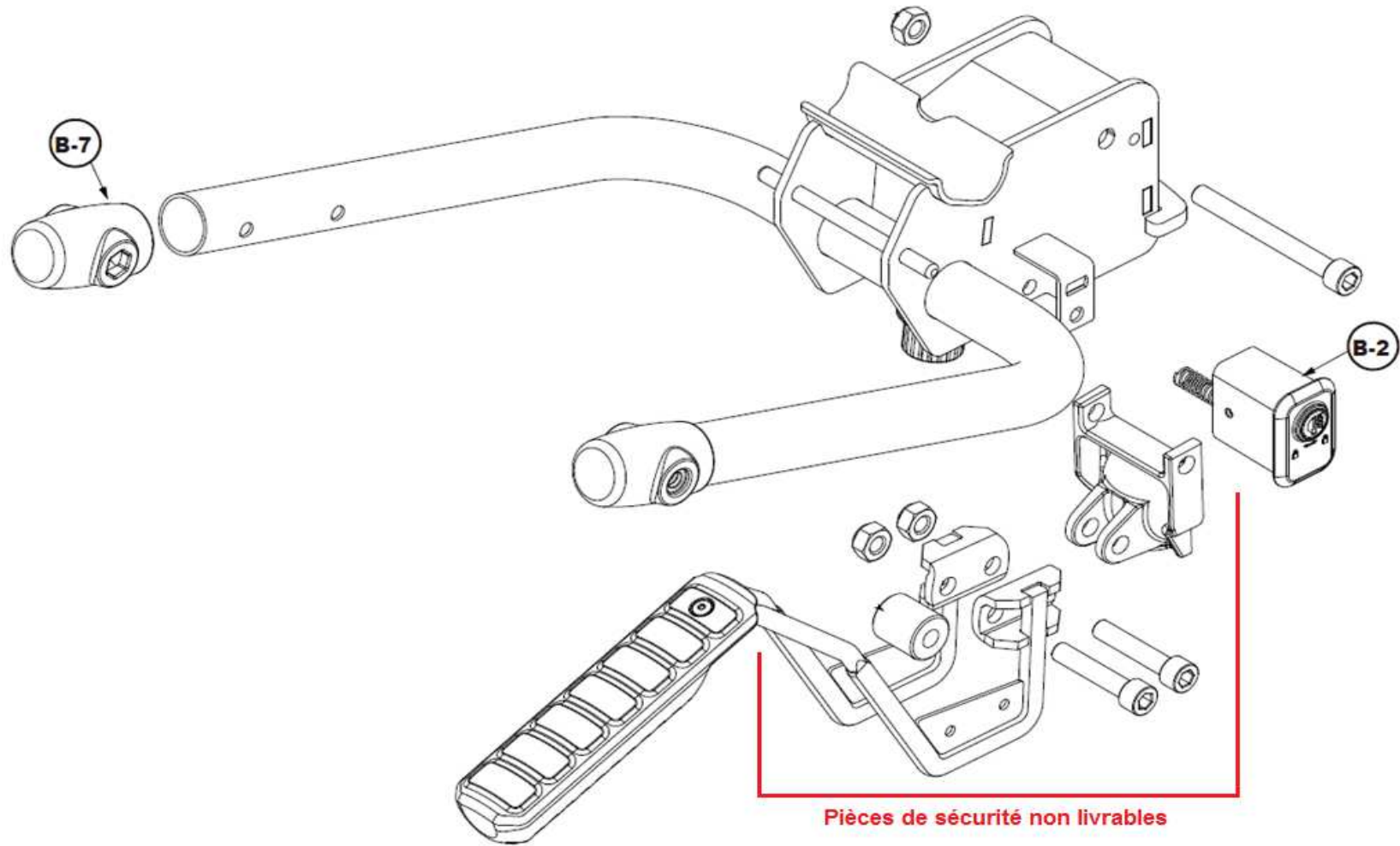


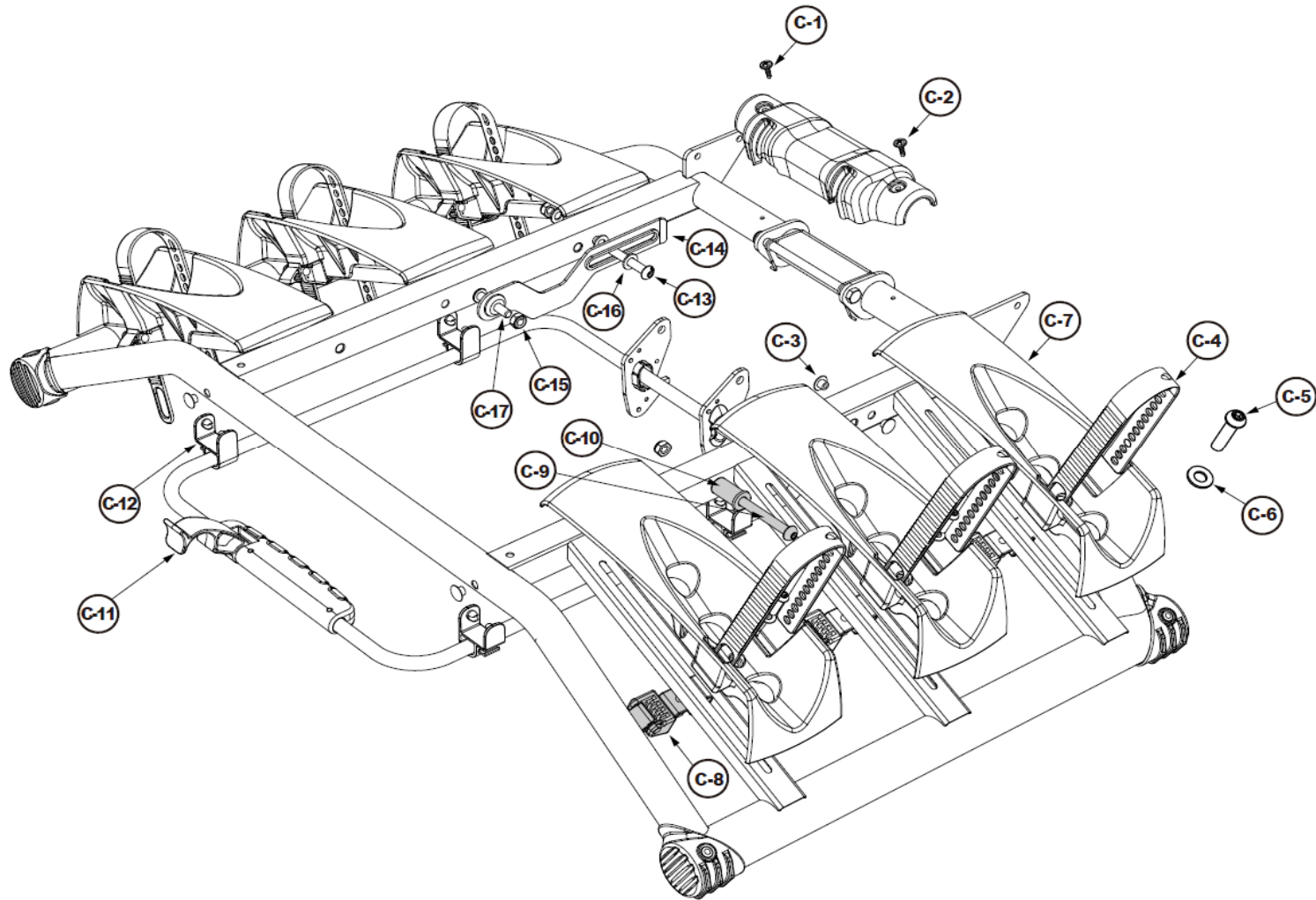
# Vue technique porte-vélos Rapidbike 3 E-Bike

2167846












| INDEX | CODE ART. | DESIGNATION   |  | INDEX | CODE ART.             | DESIGNATION                  |   |
|-------|-----------|---|--|-------|-----------------------|------------------------------|---|
| A-1   | 706837    | CLIP COLLIER SERRAGE RAPIDBIKE                      |    | A-2   | 706924                | COLLIER SERRAGE RAPIDBIKE    |    |
| A-3   | 706903    | PETIT BRAS RAPIDBIKE 2013                           |    | A-4   | 706902                | BRAS MOYEN RAPIDBIKE 2013    |    |
| A-5   | 706901    | GRAND BRAS RAPIDBIKE 2013                           |    | A-6   | 706833                | CLIP DE SECURITE RAPIDBIKE   |    |
| A-7   | 706835    | PIVOT DE BRAS RAPIDBIKE                             |    | A-8   | 57407<br>ou<br>706933 | MOLETTE M6                   |    |
| A-9   | 706881    | RONDELLE 6,5X19                                     |   | A-10  | 57408                 | SUPPORT BRAS CADRE RAPIDBIKE |   |
| A-11  | 57409     | LEVIER BRAS CADRE RAPIDBIKE                         |  | A-12  | 706831                | EMBOUT BRAS CADRE RAPIDBIKE  |  |
| A-13  | CLES      | Demande de reproduction de clés sur le portail NEXT |  |       |                       |                              |   |

| INDEX | CODE ART. | DESIGNATION                   |  | INDEX | CODE ART.             | DESIGNATION                   |   |
|-------|-----------|-------------------------------|--|-------|-----------------------|-------------------------------|---|
| B-2   | 2046811   | VERROUILLAGE RAPID.2P+/3P+    |  | B-7   | 706807                | EMBOUT PIED ATTACHE RAPIDBIKE |    |
| C-1   | 2046812   | VIS M4X16MM RAPID.2P+/3P+     |  | C-2   | 706818                | COUVERCLE CHASSIS RAPIDBIKE   |    |
| C-3   | 706811    | PETIT BOUCHON RAPIDBIKE       |    | C-4   | 706808                | SANGLE SUPPORT ROUE RAPIDBIKE |    |
| C-5   | 706857    | VIS TETE RONDE M6X25          |    | C-6   | 57410<br>ou<br>706879 | RONDELLE 6,5X11,5             |    |
| C-7   | 332044    | SUPPORT DE ROUE RAPIDBIKE P+  |   | C-8   | 706937                | ATTACHE SANGLE ROUE RAPIDBIKE |   |
| C-9   | 706861    | VIS TETE RONDE M8X80          |  | C-10  | 706540                | BAGUE RAPIDBIKE               |  |
| C-11  | 706816    | CROCHET DE SECURITE RAPIDBIKE |  | C-12  | 706817                | CLIP ATTACHE RAPIDBIKE        |  |



| INDEX | CODE ART. | DESIGNATION                   |  | INDEX | CODE ART.             | DESIGNATION                 |   |
|-------|-----------|-------------------------------|--|-------|-----------------------|-----------------------------|---|
| C-13  | 706862    | VIS TETE RONDE M8X50          |    | C-14  | 2046813               | PLAQUE RAPID.2P+/3P+        |    |
| C-15  | 706872    | ECROU M8                      |    | C-16  | 57411<br>ou<br>706884 | RONDELLE 8,5X19             |    |
| C-17  | 706859    | VIS TETE RONDE M8X40          |    | D     | 2046810               | PLAQUE IMMAT RAPID.2P+/3P+  |    |
| E     | 706810    | SUPPORT PLAQUE FEUX RAPIDBIKE |    | F     | 706865                | VIS AUTO TARAUDEUSE 4,75X12 |    |
| G     | 706858    | VIS TETE RONDE M6X45          |   | H     | 706855                | VIS TETE RONDE M6X16        |   |
| I     | 706880    | RONDELLE 6,5X13               |  | J     | 706870                | ECROU M6                    |  |
| K     | 706888    | CLE ALLEN RAPIDBIKE           |  | L     | 706889                | CLE PLATE RAPIDBIKE         |  |

| INDEX | CODE ART. | DESIGNATION                       |  | INDEX | CODE ART. | DESIGNATION        |   |
|-------|-----------|-----------------------------------|--|-------|-----------|--------------------|---|
| M     | 2185980   | CAPOT DE FEU GAUCHE               |  | N     | 2185981   | CAPOT DE FEU DROIT |  |
| O     | 2185982   | KIT FEUX COMPLETS DROIT ET GAUCHE |  |       |           |                    |   |
|       |           |                                   |  |       |           |                    |   |
|       |           |                                   |  |       |           |                    |   |
|       |           |                                   |  |       |           |                    |   |
|       |           |                                   |  |       |           |                    |   |
|       |           |                                   |  |       |           |                    |   |
|       |           |                                   |  |       |           |                    |   |