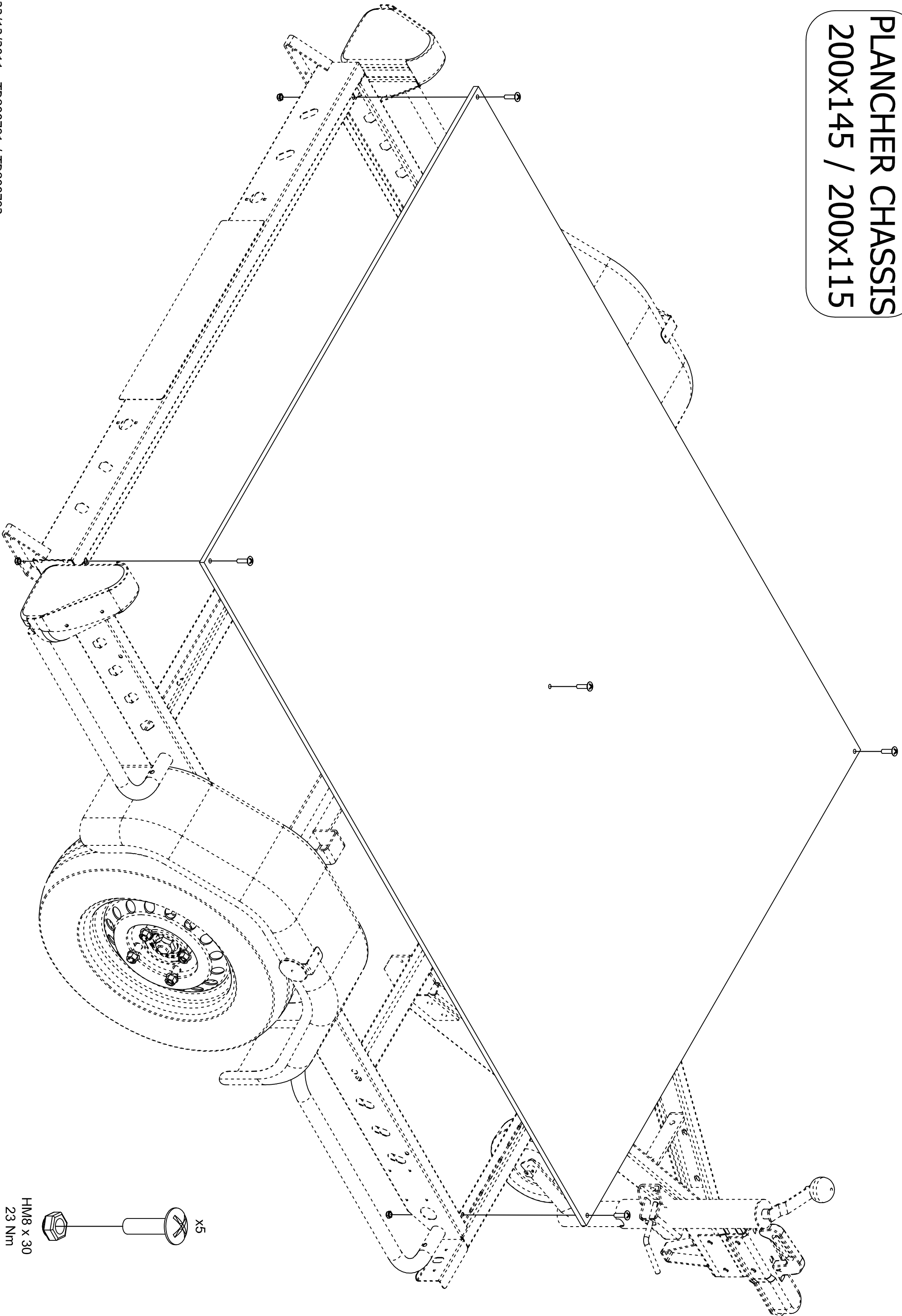


# PLANCHER CHASSIS 200X145 / 200X115



x5

HM8 x 30  
23 Nm