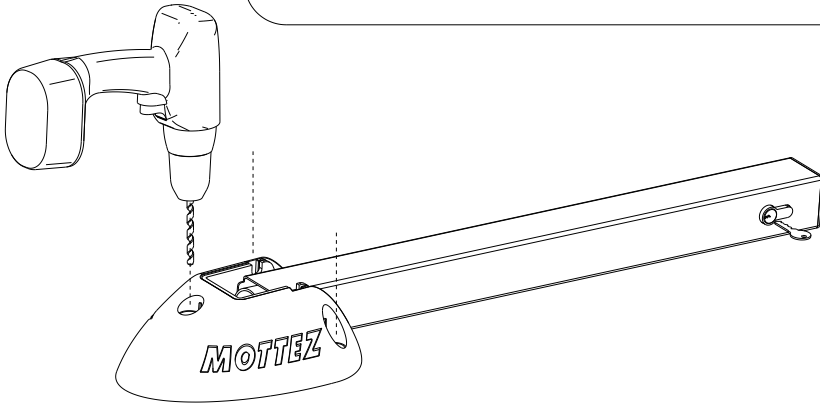


# POTEAU DE PARKING - B321



x 3	x 3	x 2
	x 1	x 1

