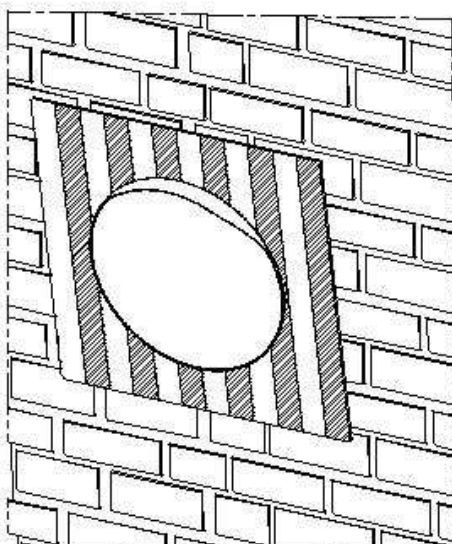
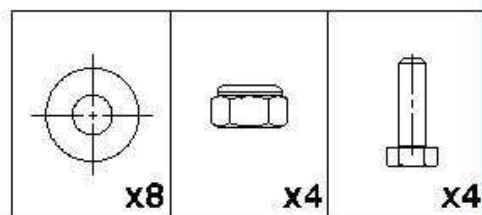
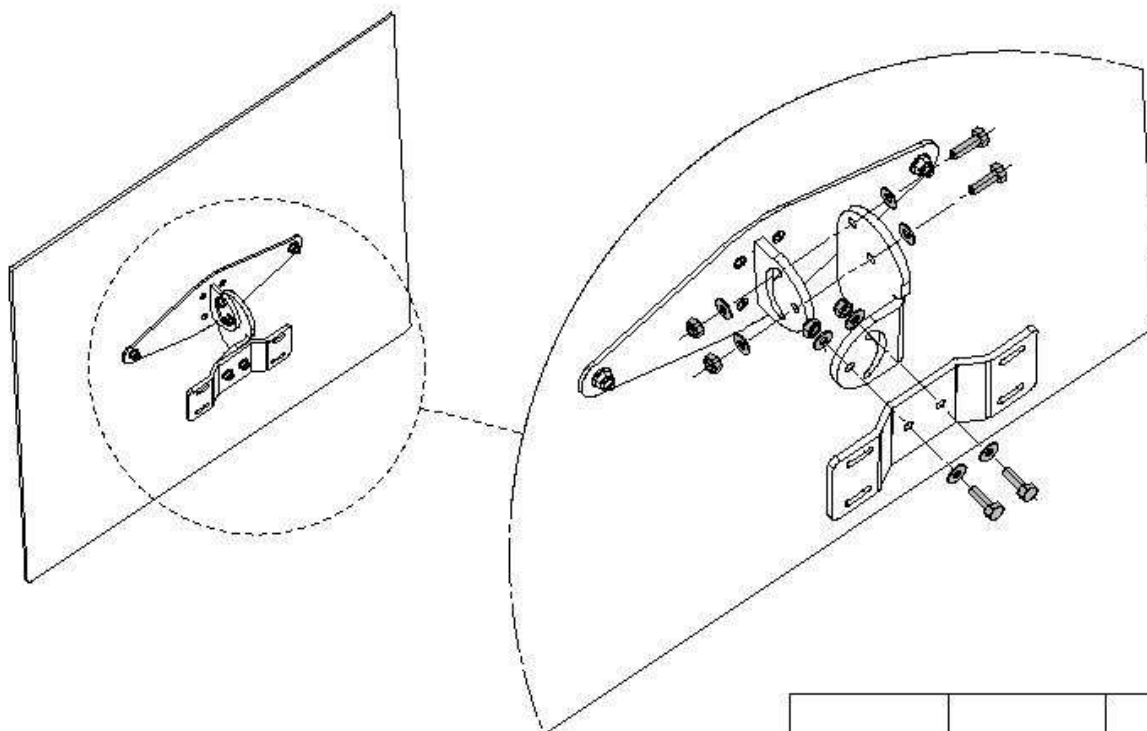
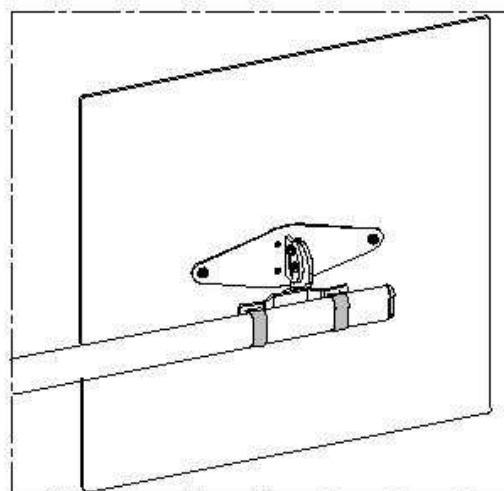


B319P60POVAPV, B319P60PV, B319POVAPV

NOTICE DE MONTAGE / FITTING INSTRUCTION



POSE MURALE
/WALL MOUNTING



OU **SANGLAGE METALLIQUE** *(non fourni)*
/ OR **/ METAL STRAPPING** *(not included)*