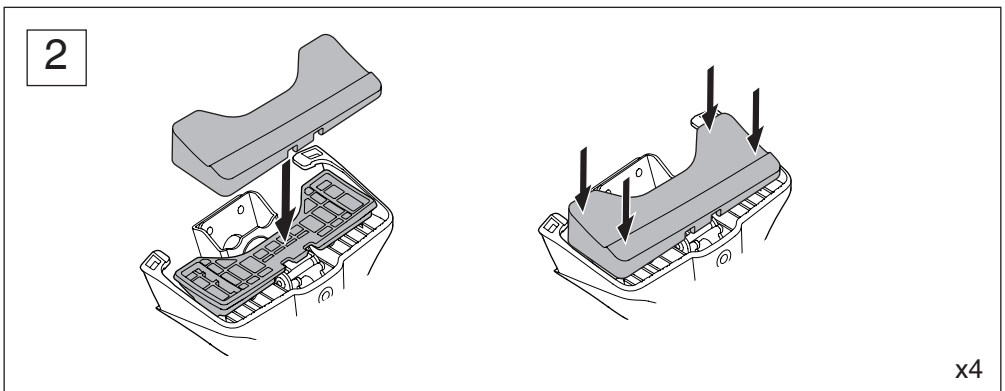
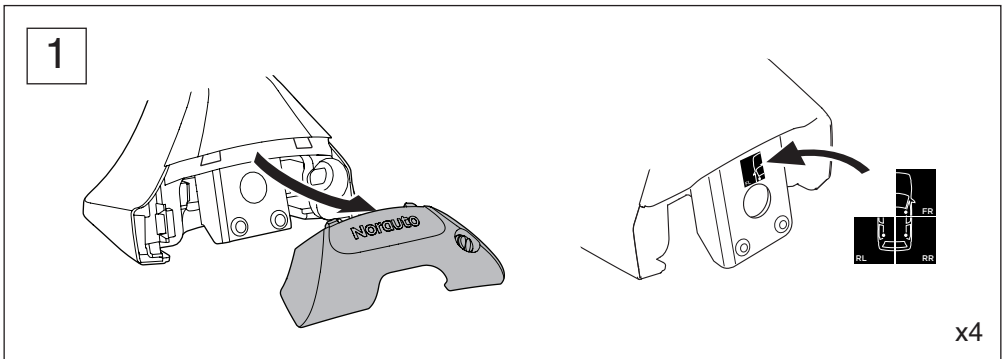
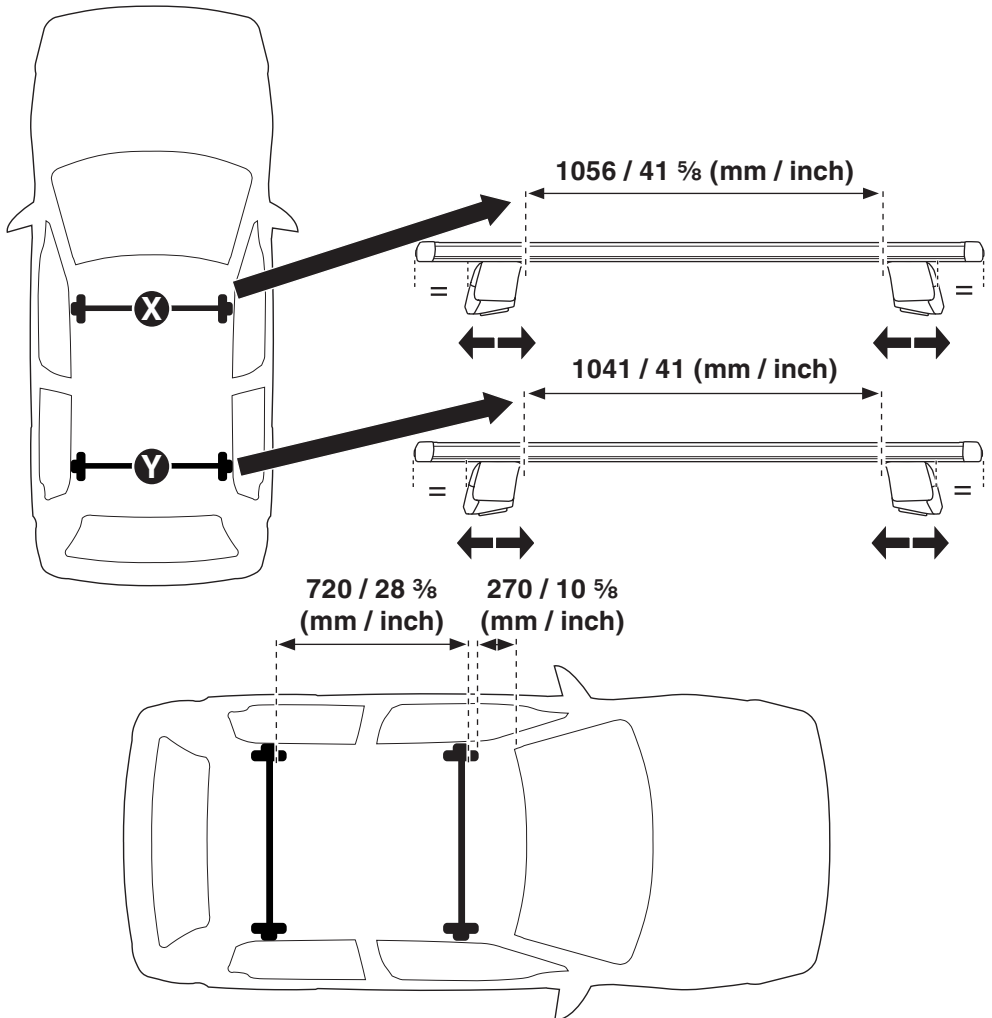
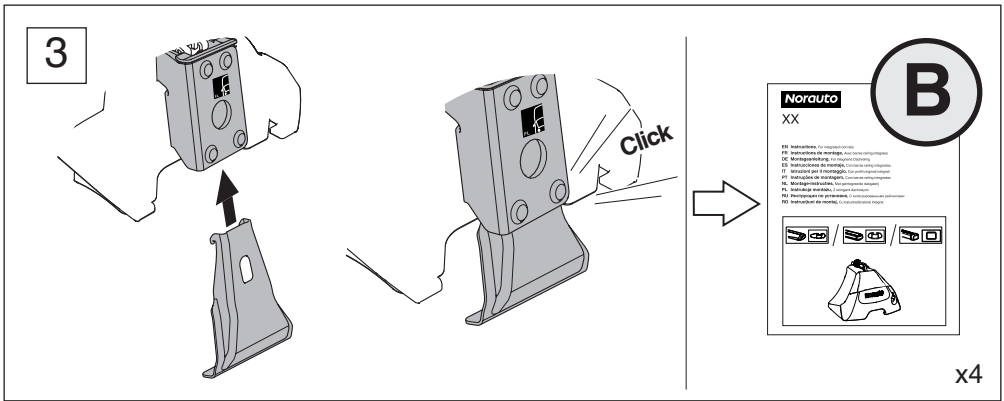


(A) + (B)





i

