

## Caractéristiques techniques des plaquettes

**WVA**  
21664, 21795

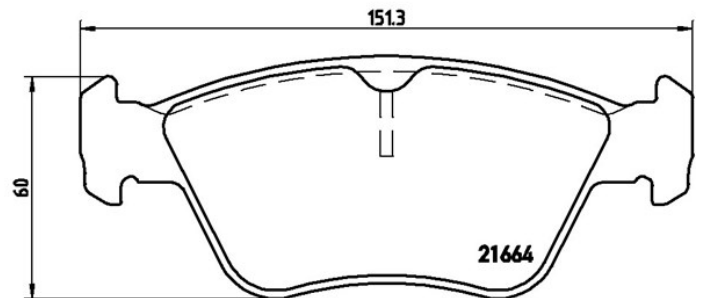
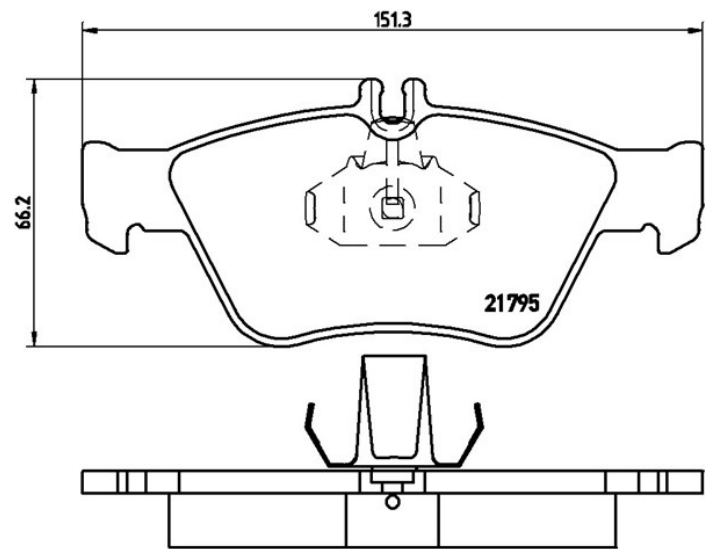
**Largeur**  
151,3 mm

**Épaisseur**  
19,8 mm

**Hauteur**  
60 - 66,2 mm

**Système de freinage**  
Teves

**Témoin d'usure**  
Conçue



## Véhicules couverts

### MERCEDES-BENZ

Modèle	Type	kW	Année
C-CLASS (W202)	C 200 Kompressor (202.025)	132	10/95 05/00
C-CLASS (W202)	C 200 Kompressor (202.025)	141	11/96 05/00
C-CLASS (W202)	C 230 Kompressor (202.024)	142	10/95 05/00
C-CLASS (W202)	C 240 (202.026)	125	06/97 05/00

C-CLASS (W202)	C 250 Turbo-D (202.128)	110	10/95 05/00
C-CLASS (W202)	C 280 (202.028)	142	05/93 05/00
C-CLASS (W202)	C 280 (202.029)	145	06/97 05/00
C-CLASS Estate (S202)	C 200 T Kompressor (202.087)	120	09/00 03/01
C-CLASS Estate (S202)	C 200 T Kompressor (202.082)	141	11/96 03/01
C-CLASS Estate (S202)	C 230 T Kompressor (202.085)	142	06/97 09/00
C-CLASS Estate (S202)	C 240 T (202.086)	125	06/97 09/00
C-CLASS Estate (S202)	C 240 T (202.088)	125	09/00 03/01
C-CLASS Estate (S202)	C 250 T Turbo-D (202.188)	110	06/96 03/01
C-CLASS Estate (S202)	C 280 T (202.089)	145	06/97 03/01
CLK (C208)	200 (208.335)	100	06/97 06/02
CLK (C208)	200 Kompressor (208.344)	120	06/00 06/02
CLK (C208)	200 Kompressor (208.345)	141	06/97 06/00
CLK (C208)	230 Kompressor (208.347)	142	06/97 06/00
CLK (C208)	230 Kompressor (208.348)	145	06/00 06/02
CLK Convertible (A208)	200 (208.435)	100	03/98 03/02
E-CLASS (W210)	E 200 (210.035)	100	06/95 08/00
E-CLASS (W210)	E 200 CDI (210.007)	75	06/98 03/02
E-CLASS (W210)	E 200 CDI (210.007)	85	07/99 03/02
E-CLASS (W210)	E 200 D (210.003)	65	01/96 03/02
E-CLASS (W210)	E 200 Kompressor (210.048)	120	08/00 03/02
E-CLASS (W210)	E 220 CDI	100	07/99 03/02
E-CLASS (W210)	E 220 CDI (210.006)	92	06/98 07/99
E-CLASS (W210)	E 220 CDI (210.006)	105	07/99 03/02
E-CLASS (W210)	E 220 D	55	05/96 03/02
E-CLASS (W210)	E 220 D (210.004)	70	06/95 07/99
E-CLASS (W210)	E 230 (210.037)	110	06/95 06/97
E-CLASS (W210)	E 240 (210.061)	125	06/97 08/00
E-CLASS (W210)	E 240 (210.062)	125	08/00 03/02
E-CLASS (W210)	E 250 D (210.010)	83	06/95 07/99
E-CLASS (W210)	E 250 Turbo-D (210.015)	110	06/97 07/99
E-CLASS (W210)	E 290 Turbo-D (210.017)	95	03/96 07/99
E-CLASS (W210)	E 300 D (210.020)	100	06/95 06/97
E-CLASS Estate (S210)	E 200 T (210.235)	100	06/96 08/00

E-CLASS Estate (S210)	E 200 T Kompressor (210.248)	120	08/00 03/03
E-CLASS Estate (S210)	E 220 T CDI (210.206)	100	05/99 03/03
E-CLASS Estate (S210)	E 220 T CDI (210.206)	92	06/98 07/99
E-CLASS Estate (S210)	E 220 T CDI (210.206)	105	07/99 03/03
E-CLASS Estate (S210)	E 230 T (210.237)	110	06/96 06/97
E-CLASS Estate (S210)	E 240 T (210.261)	125	06/97 03/03
E-CLASS Estate (S210)	E 240 T (210.262)	125	08/00 03/03
E-CLASS Estate (S210)	E 250 T D (210.210)	83	06/96 07/99
E-CLASS Estate (S210)	E 250 T Turbo-D (210.215)	110	06/97 07/99
E-CLASS Estate (S210)	E 290 T Turbo-D (210.217)	95	06/96 07/99
SLK (R170)	200 (170.435)	100	09/96 03/00
SLK (R170)	200 Kompressor (170.444)	120	03/00 04/04
SLK (R170)	200 Kompressor (170.445)	141	10/96 03/00
SLK (R170)	230 Kompressor (170.447)	142	09/96 03/00
SLK (R170)	230 Kompressor (170.449)	145	03/00 04/04

## Refs constructeur

### Références constructeurs compatibles

MERCEDES-BENZ	0024204420
MERCEDES-BENZ	0024209620
MERCEDES-BENZ	0044200220
MERCEDES-BENZ	004420022067
MERCEDES-BENZ	0054204720
MERCEDES-BENZ	A0024204420
MERCEDES-BENZ	A0024209620
MERCEDES-BENZ	A0044200220
MERCEDES-BENZ	A004420022067
MERCEDES-BENZ	A0054204720